

HCF

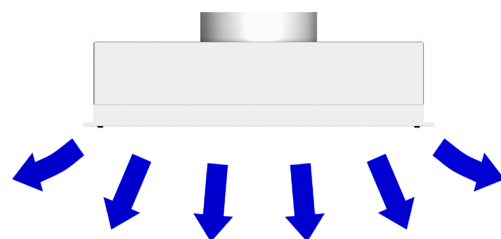
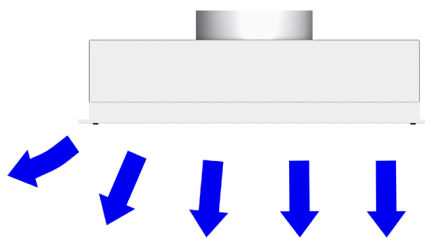
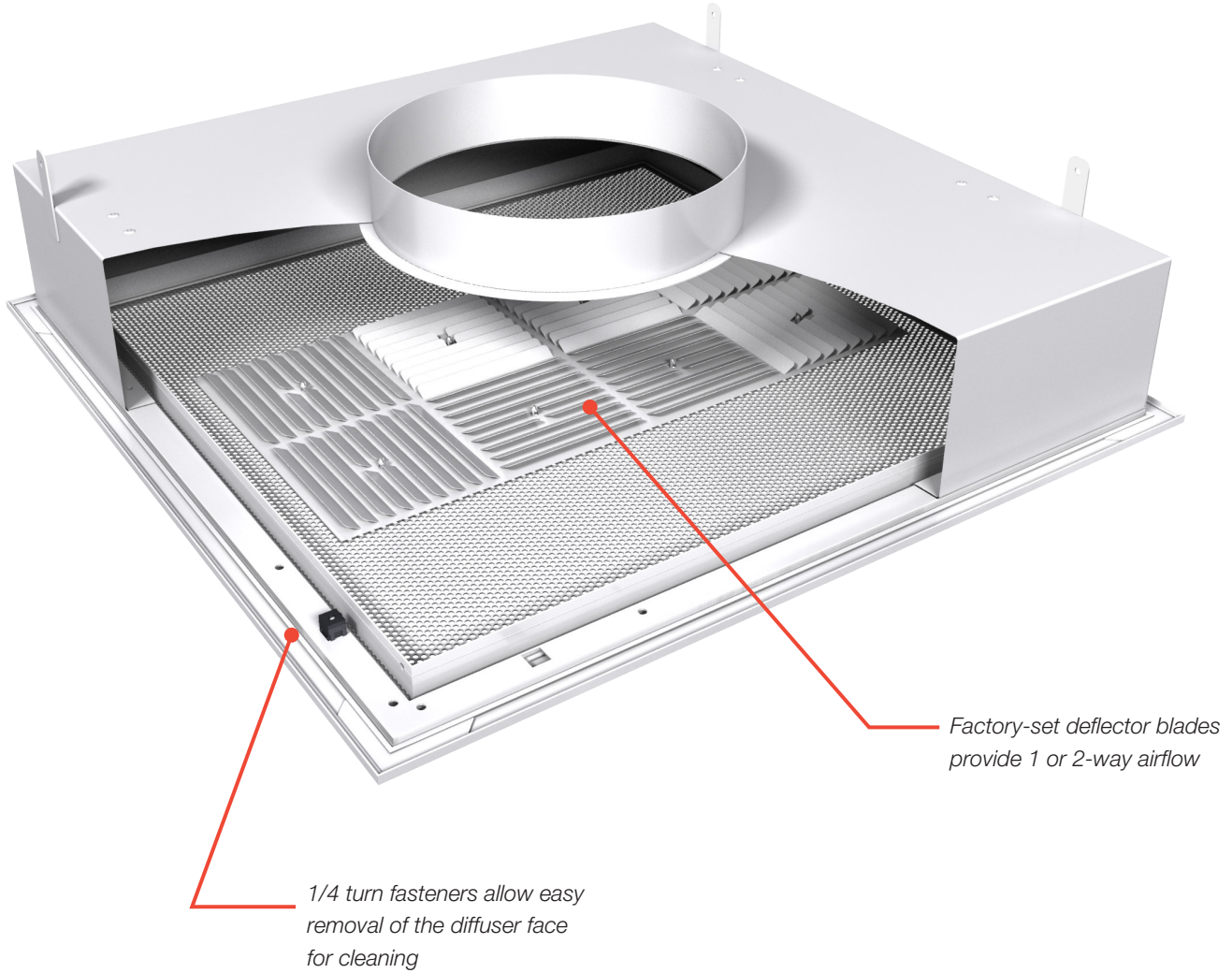
HIGH CAPACITY FLUSH FACE DIFFUSER



HCF

High Capacity Flush Face Diffuser

The High Capacity Flush Face Diffuser (HCF) features all aluminum construction and provides a low velocity radial air pattern while maintaining the appearance of a conventional flush face perforated diffuser.



HCF

High Capacity Flush Face Diffuser

ADJUSTABLE AIR PATTERN

- + Deflector blades at the back of the diffuser face allow for 1-way half radial or 2-way full radial airflow to be selected.

CLEANING & MAINTENANCE

- + HCF units satisfy all ASHRAE 170 requirements for diffuser cleaning and maintenance.
- + Powder coat paint finish formulated for routine exposure to hospital grade cleaning solutions and disinfectants.
- + Stainless steel 1/4 turn fasteners and retainer cables provide straightforward and convenient access to the plenum for cleaning or damper adjustment.

ADJUSTABLE INLET DAMPER

- + The optional butterfly-style inlet air damper allows for air balancing and fine tuning, ensuring delivery of the desired quantity of air.
- + The optimized blade design minimizes sound and pressure drop.
- + Aluminum or stainless steel construction.

TYPICAL APPLICATIONS

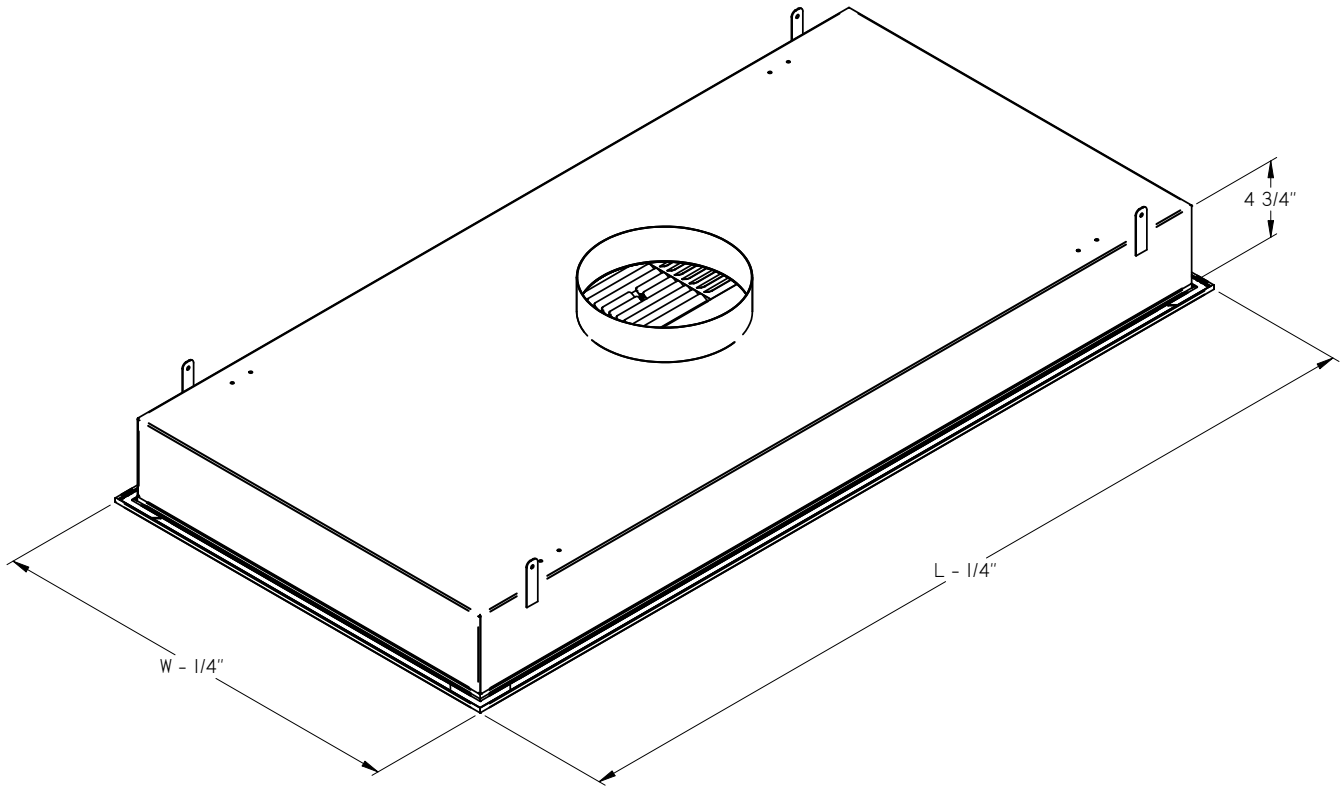
The radial air pattern and low noise level of the HCF allow for selection at higher air volumes than conventional diffusers, making it suitable for medical facilities and kitchens.



Designed for easy cleaning and maintenance



DIMENSIONAL DATA



Nominal Diffuser Sizes	Inlet Sizes
24 in. x 24 in.	8 in., 10 in.
24 in. x 48 in.	10 in., 12 in.

PERFORMANCE DATA

Air Pattern	Unit Size (in.)	Inlet Size (in.)	Air Flow (cfm)	Static Pressure (in. w.g.)	Total Pressure (in. w.g.)	Sound (NC)	Throw (ft.) 100-75-50 fpm						
							Vertical Cooling			Horizontal Cooling			
							5°F	10°F	15°F	5°F	10°F	15°F	
1-way Pattern	24 x 24	8	200	0.01	0.03	-	0-1-3	1-2-3	2-2-4	1-2-2	1-2-2	1-2-2	
			300	0.022	0.068	26	1-2-3	2-3-4	2-4-5	2-3-3	2-3-3	2-3-3	
			400	0.039	0.121	35	2-3-4	2-4-5	3-5-5	3-3-4	3-3-4	3-4-3	
			500	0.06	0.188	42	2-4-4	3-5-5	3-5-6	3-4-4	3-4-4	3-4-4	
	24 x 24	10	400	0.016	0.049	23	2-3-6	3-4-7	3-5-7	3-4-6	3-4-6	4-5-6	
			500	0.025	0.077	30	3-4-7	3-5-7	4-6-8	4-5-7	4-5-6	4-5-6	
			600	0.036	0.111	36	3-5-7	4-5-8	4-6-8	4-5-7	4-5-7	5-6-7	
			700	0.048	0.151	41	3-5-7	4-6-8	4-7-9	5-6-7	5-6-7	5-6-7	
	24 x 48	10	400	0.018	0.052	20	6-7-8	6-8-8	6-8-8	4-6-6	4-6-6	4-6-6	
			500	0.029	0.081	27	7-8-8	7-8-9	7-8-9	5-6-7	5-6-7	5-6-7	
			600	0.041	0.117	33	7-8-9	7-8-9	7-8-9	5-7-7	6-7-8	6-7-8	
			700	0.056	0.159	37	7-8-9	8-8-9	8-9-9	6-7-8	6-7-8	6-7-8	
		24 x 48	12	600	0.02	0.056	23	6-8-9	6-8-9	7-8-9	2-4-4	3-4-4	3-4-4
				700	0.027	0.077	28	7-8-9	7-8-9	7-8-9	3-4-5	3-4-5	3-4-5
				800	0.035	0.1	32	7-8-9	7-8-9	7-9-9	3-4-5	4-4-5	4-5-5
				900	0.045	0.127	36	7-8-9	7-9-9	8-9-10	4-5-5	4-5-6	4-5-6
2-way Pattern	24 x 24	8	200	0.01	0.03	-	0-0-2	0-0-2	0-0-2	1-1-2	1-1-1	1-1-1	
			300	0.022	0.068	25	1-2-3	1-2-3	1-2-3	2-2-3	2-2-2	2-2-2	
			400	0.039	0.121	35	2-3-4	2-3-4	2-3-4	3-3-3	3-3-3	2-3-3	
			500	0.06	0.188	43	3-4-5	3-4-5	3-4-5	3-4-4	3-4-4	3-3-3	
	24 x 24	10	400	0.016	0.049	22	4-5-6	4-5-6	4-5-6	3-4-5	3-4-5	3-4-4	
			500	0.025	0.077	30	5-6-7	5-6-7	5-6-7	4-5-5	4-5-5	4-4-5	
			600	0.036	0.111	36	5-7-8	5-7-8	5-7-8	4-5-6	4-5-6	4-5-5	
			700	0.048	0.151	41	6-7-8	6-7-8	6-7-8	5-6-6	4-6-6	4-5-6	
	24 x 48	10	400	0.018	0.052	22	5-7-7	5-7-8	5-7-8	5-7-7	3-3-4	2-3-4	
			500	0.029	0.081	29	6-7-8	6-7-8	6-8-8	6-7-8	4-5-6	3-4-5	
			600	0.041	0.117	35	6-8-8	7-8-9	7-8-9	6-8-8	5-6-7	4-5-6	
			700	0.056	0.159	41	7-8-9	7-8-9	8-9-9	7-8-9	5-6-8	5-6-7	
		24 x 48	12	600	0.02	0.056	25	6-7-8	6-7-8	6-7-8	6-7-8	3-4-4	3-3-4
				700	0.027	0.077	30	6-7-8	6-7-8	7-8-9	6-7-8	4-5-5	3-4-5
				800	0.035	0.1	35	7-8-9	7-8-9	7-8-9	7-8-9	4-5-6	4-5-5
				900	0.045	0.127	39	7-8-9	7-8-9	8-8-9	7-8-9	5-6-7	5-6-6
		1000	0.055	0.156	42	7-8-9	8-8-9	8-9-9	7-8-9	5-7-7	5-6-6		

Performance Notes:

- Units are tested in accordance with ASHRAE Standard 70-2006.
- Air flow is in cubic feet per minute, cfm.
- All pressures are in inches of water, in. w.g.
- The NC values, sound pressure levels, are based on a room absorption of 10 dB re 10⁻¹² watts and one diffuser.
- Blanks "-" indicate an NC less than 20.



Product Improvement is a continuing endeavour at Price. Therefore, specifications are subject to change without notice. Consult your Price Sales Representative for current specifications or more detailed information. Not all products may be available in all geographic areas. All goods described in this document are warranted as described in the Limited Warranty shown at priceindustries.com. The complete Price product catalog can be viewed online at priceindustries.com.